

Product Information and Prices



Elmasolvex RM

Watch / small parts cleaning machine



Order numbers and list prices

Elmasolvex	RM
Order number 230 V~	1047806
Order number 115 V~	1055855
List price	4.760,00 €

Scope of delivery

- Basket cover + 4 glasses with covers + 4 wave breaker
- Operating manual
- Power cable

All prices ex works, excluding packaging.

Technical specifications serve as orientation values and are subject to tolerances due to production and manufacturing. Proper operation can only be guaranteed when using original Elma accessories.

Elmasolvex RM

Product features and functions

▪ TÜV certified explosion safety
▪ Now with 4 cleaning chambers and one drying chamber (fine filter warm air technology)
▪ Fully automatic or alternatively with individually adjustable parameters
▪ Easy-to-maintain design, easy-to-clean housing construction
▪ Maximum personnel safety by connecting the machine to a controlled exhaust air system
▪ Basket rack for 3 baskets, optional sinker holder
▪ Extensive and practical accessories see accessories catalog
▪ Rotation and oscillation methods

Elmasolvex RM

Technical Data - Mechanics

Elmasolvex	RM
Unit ext. dimensions W / D / H (mm)	515 / 542 / 650
Weight (kg)	28
Hot air dryer connection (DN)	75 (passive)
Volume of the media tank (l)	0,6
Chamber suction connection	R 1"

Elmasolvex RM

Technical Data - Mechanics

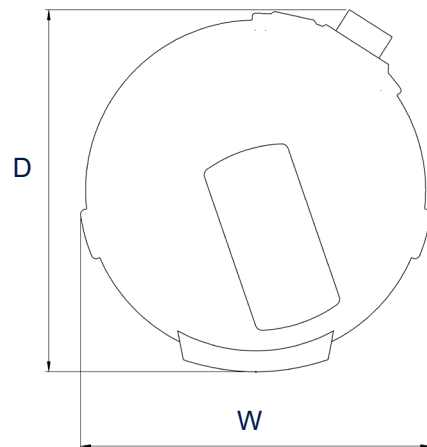
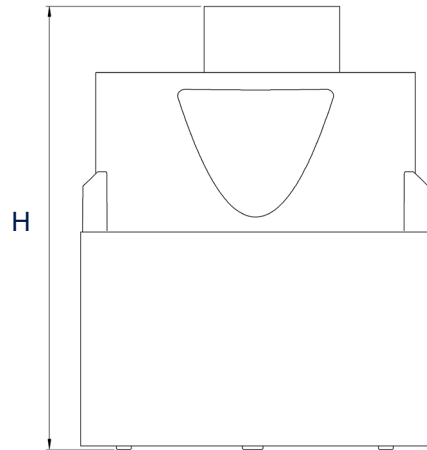
Elmasolvex	RM
Mains voltage (V~)	115 / 230
Mains frequency (Hz)	50 / 60
Power consumption total (W)	260
Power consumption in standby (W)	5
Rotation speed in cleaning position (rpm) Rotation mode (adjustable)	- 800
Change of rotation direction in cleaning program (s) Oscillation mode (adjustable)	0,05 - 1,0
Speed in spin position (rpm) (adjustable)	- 1200
Permissible ambient temperature (°C)	5 - 30

Technical specifications serve as orientation values and are subject to tolerances due to production and manufacturing. Proper operation can only be guaranteed when using original Elma accessories.

Elmasolvex RM

Dimension definition

Unit outer dimensions



The drawings are merely included as a visualization aid and are not true to scale.

Technical specifications serve as orientation values and are subject to tolerances due to production and manufacturing. Proper operation can only be guaranteed when using original Elma accessories.