

# Product Information and Prices



## Elmasolvex VA

Watch / small parts cleaning machine



### Order numbers and list prices

Elmasolvex	VA
Order number 230 V~	1038651
Order number 115 V~	1052330
Order number 100 V~	1052331
List price	16.440,00 €

### Scope of delivery

- Basket holder Ø 80 mm, USB cable for software updates
- Operating manual
- Power cable
- Connection set exhaust hoses + Allen key to assemble the set.
- 4 spare suction filters for media container, funnel; 2 plastic plugs, Allen key for guard grille mounting

All prices ex works, excluding packaging.

Technical specifications serve as orientation values and are subject to tolerances due to production and manufacturing. Proper operation can only be guaranteed when using original Elma accessories.

## Elmasolvex VA

### Product features and functions

• Explosion-proof certified solvent-based movement cleaning (TÜV Rheinland)
• Protection from solvent vapors and odors by exhaust or self-contained filter system
• Vacuum technology reaches even hard-to-reach places and removes air bubbles from the movements
• Cleaning and rinsing with multifrequency ultrasound in rotation or oscillation mode
• Machine completely rotatable, thus media container and connections very easy to reach
• Media container easy to change, easy to rinse out; integrated particle filter to extend the service life of the cleaning and rinsing solutions
• Extensive and practical accessories see accessories catalog
• Maximum cleanliness through removal of disturbing air bubbles by ultrasound
• Explosion protection through explosion protection measures integrated in the machine
• Ultrasonic / vacuum process for solvents in rotary or oscillating mode
• Solvent cleaning: Ex-safety certified for flammable solvents with flash point > 12 °C; e.g. elma wf pro, 3 x elma suprol pro, drying
• USB interface for updates (Software update / Software Elmasolvex VA Tools)
• 3 predefined cleaning programs: Standard, Short, Intensive
• 4 Predefined programs for special cleaning: Standard Drying, Movement holder V2 Prg., Epilamisation_Episurf, After Drying
• Freely programmable

## Elmasolvex VA

### Technical Data - Mechanics

Elmasolvex	VA
Unit ext. dimensions W / D / H (mm)	605 / 580 / 610
Weight incl. media tank (kg)	39
Number of media tank	4
Volume of the media tank (l)	2,5
Exhaust air connections (passive)	2 x DN6

## Elmasolvex VA

### Technical Data - Electronics

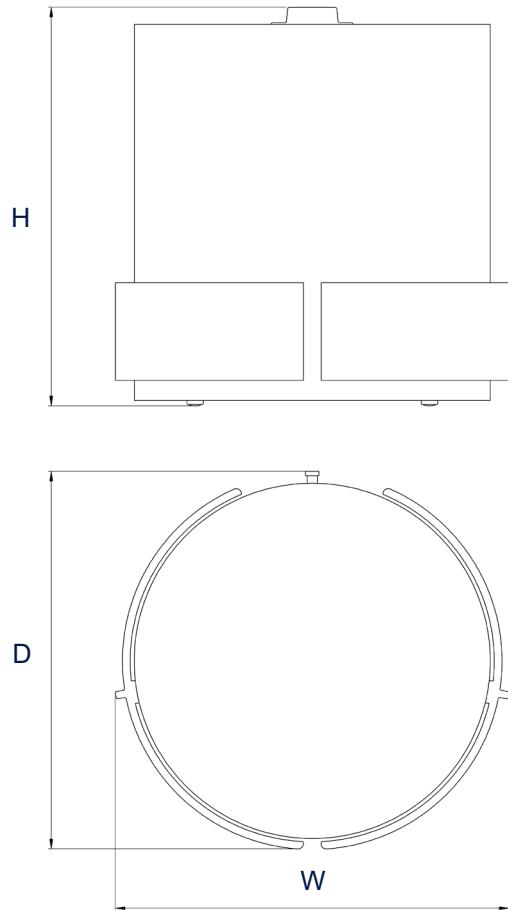
Elmasolvex	VA
Mains voltage (V~)	100 / 115 / 230
Mains frequency (Hz)	50 / 60
Power consumption total (W)	220
Effective ultrasound power (W), can be regulated 30% - 100%	50
Power consumption in standby (W)	20
Mains input fuse (see rating plate)	2 x T4A / 250
Mains cable cross section (mm <sup>2</sup> )	3 x 1,0
Switchable ultrasound frequencies (kHz)	40 / 80
Spinning mode speed range freely adjustable up to max. (rpm)	1400
Cleaning / rinsing mode rotation speed range (rpm)	1-20
Oscillation / vibration frequency rate (1/s)	1-14
Oscillation / vibration mode deflection (°)	1-60
Operation sound pressure level (LpAU)	< 70 dB

Technical specifications serve as orientation values and are subject to tolerances due to production and manufacturing. Proper operation can only be guaranteed when using original Elma accessories.

## Elmasolvex VA

### Dimension definition

Unit outer dimensions



The drawings are meant as a visualization aid and are not true to scale.

Technical specifications serve as orientation values and are subject to tolerances due to production and manufacturing. Proper operation can only be guaranteed when using original Elma accessories.